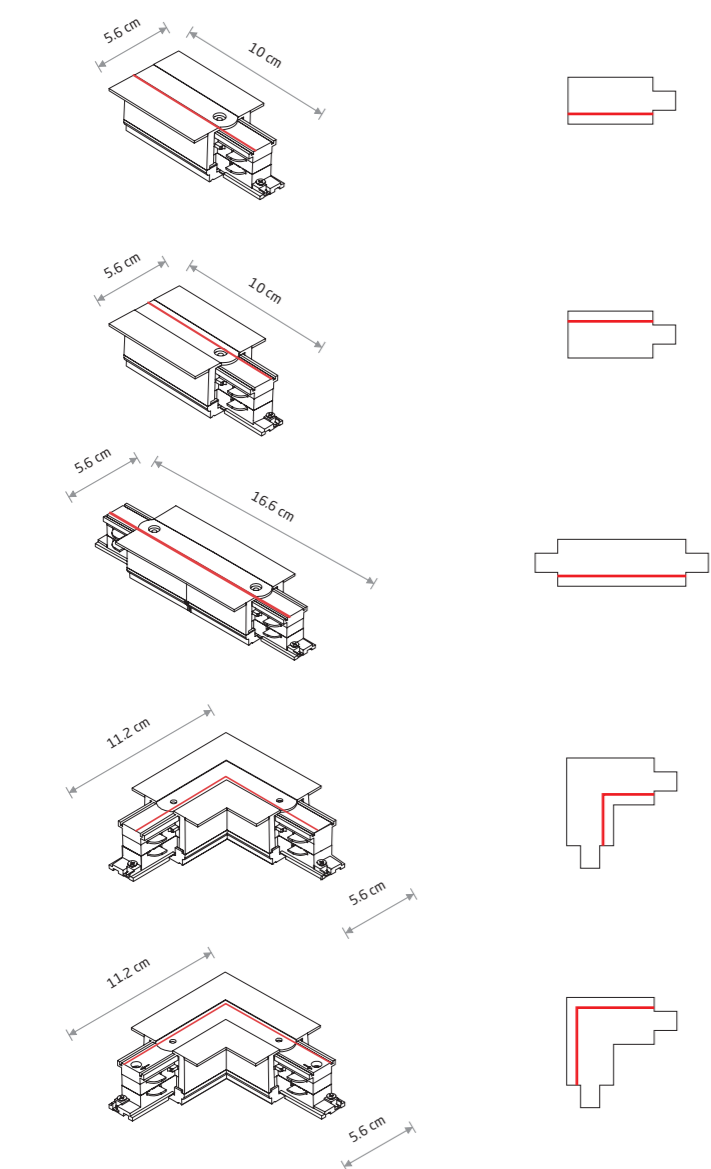
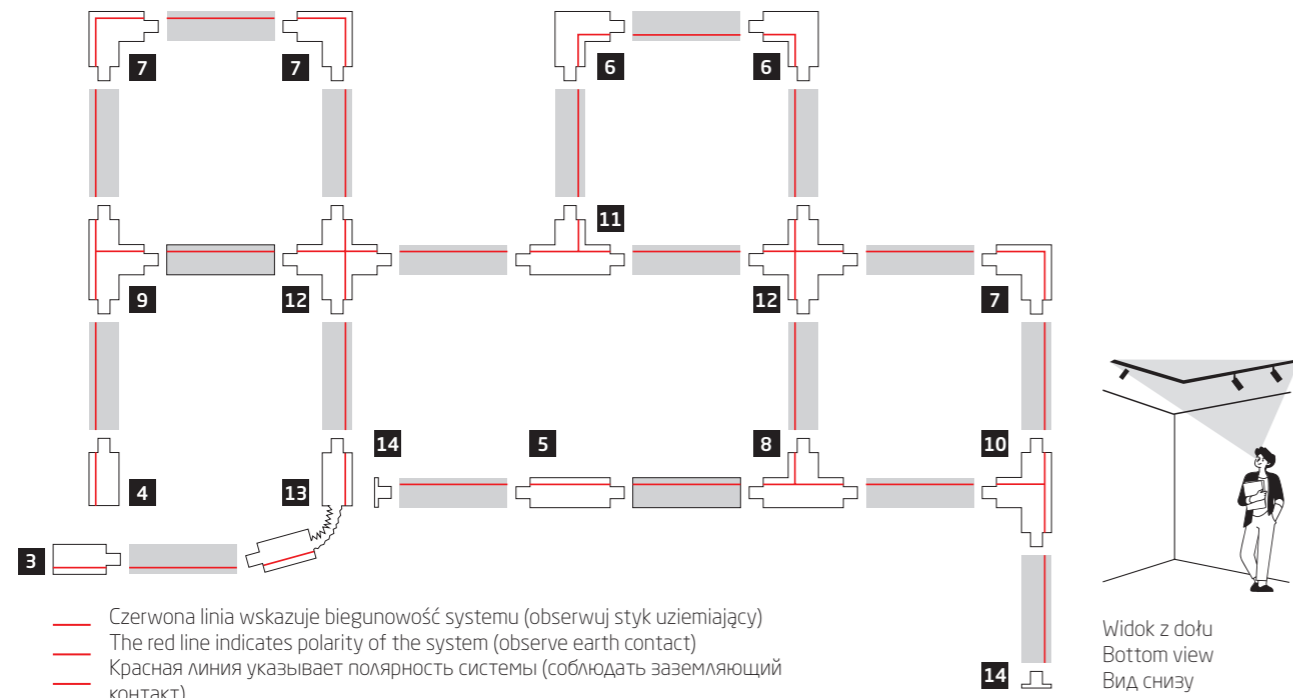
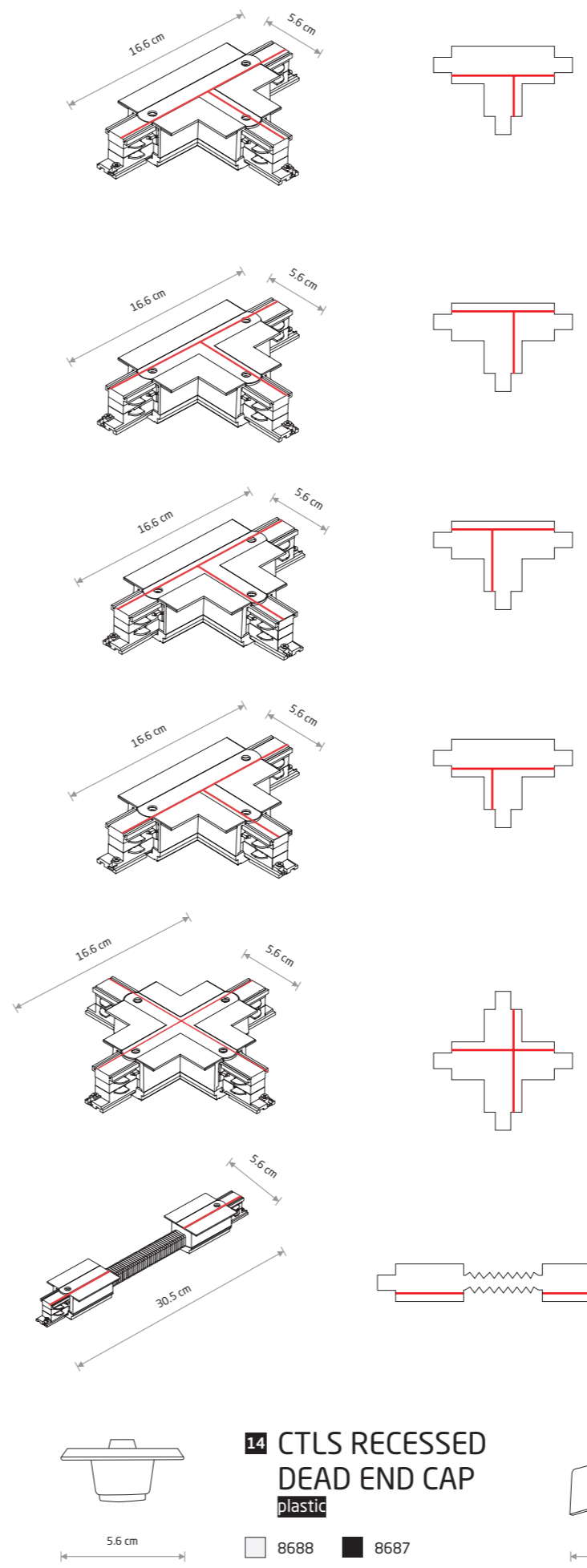


CTLS - POLARITY IN RECESSED COMMERCIAL TRACK LIGHT SYSTEM



- 3 CTLS RECESSED POWER END CAP, RIGHT (PE-R)**
 plastic, copper
 8691 8690
- 4 CTLS RECESSED POWER END CAP, LEFT (PE-L)**
 plastic, copper
 8234 8235
- 5 CTLS RECESSED POWER STRAIGHT CONNECTOR**
 plastic, copper
 8686 8685
- 6 CTLS RECESSED POWER L CONNECTOR, RIGHT (L-R)**
 plastic, copper
 8230 8231
- 7 CTLS RECESSED POWER L CONNECTOR, LEFT (L-L)**
 plastic, copper
 8684 8683



- 8 CTLS RECESSED POWER T CONNECTOR, LEFT 2 (T-L2)**
 plastic, copper
 8238 8240
- 9 CTLS RECESSED POWER T CONNECTOR, LEFT 1 (T-L1)**
 plastic, copper
 8247 8248
- 10 CTLS RECESSED POWER T CONNECTOR, RIGHT 2 (T-R2)**
 plastic, copper
 8681 8682
- 11 CTLS RECESSED POWER T CONNECTOR, RIGHT 1 (T-R1)**
 plastic, copper
 8245 8246
- 12 CTLS RECESSED POWER X CONNECTOR**
 plastic, copper
 8678 8680
- 13 CTLS RECESSED POWER FLEX CONNECTOR**
 plastic, copper
 8676 8677
- 14 CTLS RECESSED DEAD END CAP**
 plastic
 8688 8687
- 15 CTLS RECESSED FIXING SET**
 steel
 8306

WHITE
 BLACK

OTHER
 WHITE
 BLACK