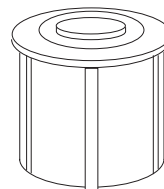
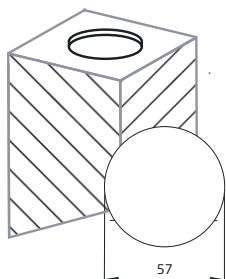


**WORKS WITH:**  
WATERPROOF CCONNECTOR, NOWODVORSKI CATALOGUE NO: 8845, NOT INCLUDED

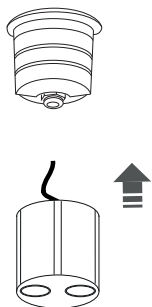


**CIRCLET LED**  
8163

1



2



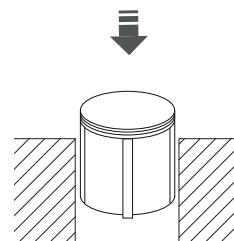
3



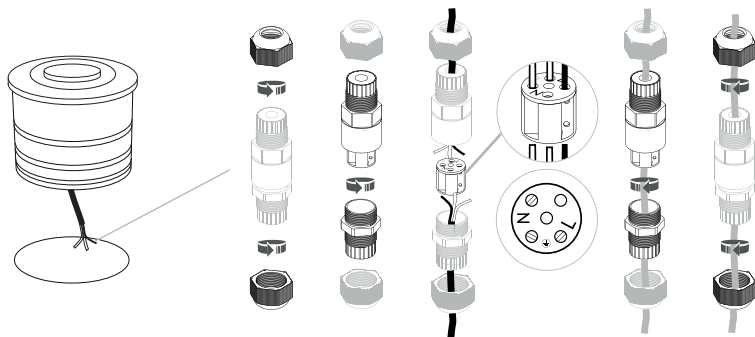
4



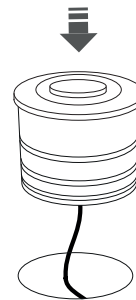
5



6



7



8

